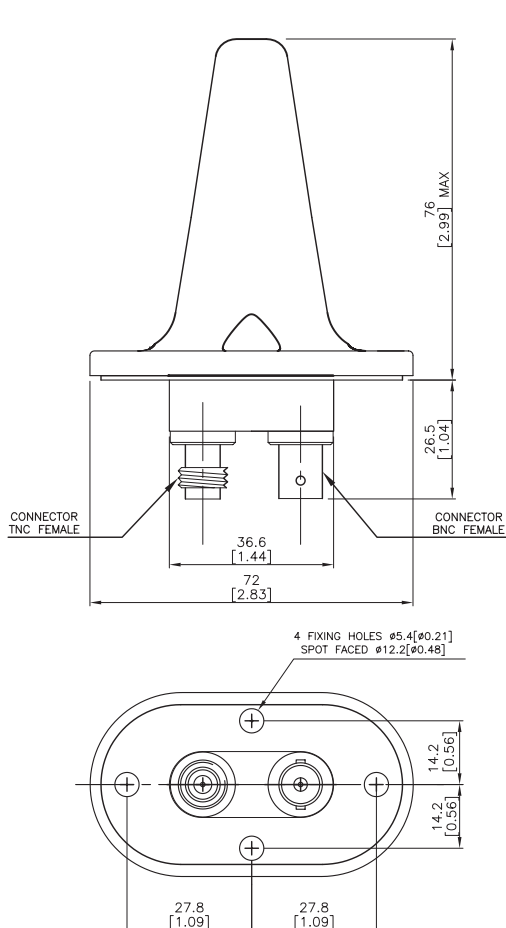




ELECTRICAL	
Frequency Range	950 MHz - 1250 MHz
VSWR	1.7:1
Polarization	Vertical
Radiation Pattern	Omnidirectional in azimuth
Impedance RF	50 Ohms Nominal
Static Protection	DC Grounded
Test Probe (Optional)	Isolation 18 db at 1090 Mhz Nominal
Power RF	1 Kw Peak
MECHANICAL	
Weight	90 grams (max)
Height	76 mm (max)
Material	Glass Epoxy
Finish	Gloss
Connector	See Order Options
ENVIRONMENTAL	
Temperature	-55° C to +90° C -70° C to +120° C (Optional)
Altitude	60000 feet
CONNECTOR	
TNC	Standard for Aerial Feed
BNC	For Optional Test Probe
COLOUR	
White	Standard
Black/Other	Optional

JL 06 is an L band antenna designed to be used with IFF system. The design ensures excellent omnidirectional pattern over the entire band. The radiating element is encased in a single piece glass fibre reinforced epoxy radome. These antennas are low profile, low drag stub antennas designed to withstand severe environmental conditions ideally suited for high speed as well as rotary wing aircrafts.

*Contact us for your customized requirements. Use customization sheet at the end



Dimensions are in mm
Inches shown in bracket